

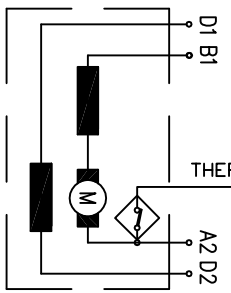
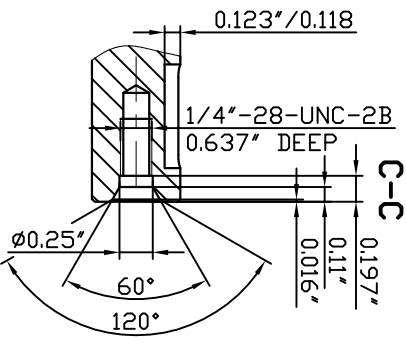
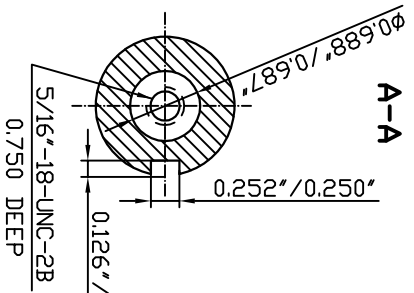
Torque $5 \frac{1}{17}$
 12 ± 2 Nm

| Duty cycle | Volts | Amps | RPM | kW | HP | Peak HP |
|------------|-------|------|------|------|------|---------|
| S2-60min | 90 | 195 | 3550 | 14.9 | 19.5 | 60 |
| S2-60min | 115 | 205 | 4600 | 20.0 | 26.7 | 83 |
| S2-60min | 139 | 205 | 5700 | 23.9 | 31.9 | 100 |

KOSTOV 9" 144V
17R-31750

rated power 24 kW
 rated voltage 144 V
 rated current 205 A
 rated speed 5700 min⁻¹
 operation mode S2-60min
 excitation series IP 21
 protection H
 insulation class YES
 Interpoles: 43
 weight 43 kg
 length L
 char. curve S144E03
 rotation REV

KOSTOV 9" 144 V
 exc. SERIES
 IP 21 Insulation H
 kW 24 A 205 V 144 Duty S2-60 min
 rpm 5700 kg 43 S.N.
 www.kostov-motors.com



Rotation (viewed from drive end)
 CCW: Connect D2 to A2; " + " to B1
 CW: Connect D1 to A2; " + " to D2 and " - " to B1

Coating: black

Eliprom-EMS

08.04.2009
 27.03.2009
 25.11.2008
 Rev.