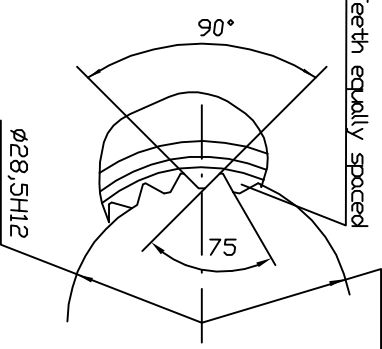


B(2:1) $\emptyset 31,9H12$ ET 9/4,5/16-01 ET 9/7,5/12-03 ETH 9/7,5/12-04
 0 42 31 6010 0 42 51 2030 0 42 51 2040

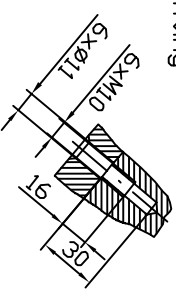
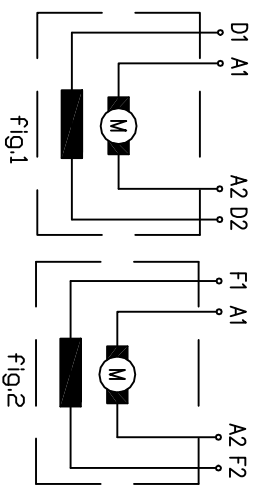
rated power 9 kW
 rated voltage 48 V
 rated current 235 A
 rated speed 1600 min⁻¹
 operation mode S2-60min
 excitation series IP 21
 protection IP 21
 insulation F
 weight 73,7 kg
 length L 548F02
 char. curve S80F03
 rotation Fig.1
 conn. diag. Fig.1

rated power 9 kW
 rated voltage 75 V
 rated current 140 A
 rated speed 1200 min⁻¹
 operation mode S2-60min
 excitation series IP 21
 protection IP 21
 insulation F
 weight 76,5 kg
 length L N80F04
 rotation Fig.2
 conn. diag. Fig.2



KOSTOV MOTORS

excit.
 insulation
 IP
 duty
 S.N.
 www.kostov-motors.com



The bolt is unscrewed before mounting A-A

Rotation (viewed from drive end)
 CW: Connect D1 to A2, '+' to D2 and '-' to A1
 CCW: Connect D2 to A2, '+' to D1 and '-' to A1

Rotation (viewed from drive end)

Connect	Connect
CCW '+' → F1, '-' → F2	CCW '+' → A1, '-' → A2
CW '+' → F1, '-' → F2	

10.09.2007	Elprom-EMS
17.08.2007	
11.08.2006	
18.05.2006	
Rev.	

KF 13