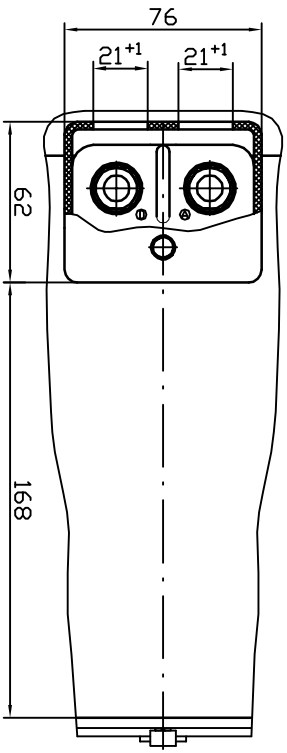
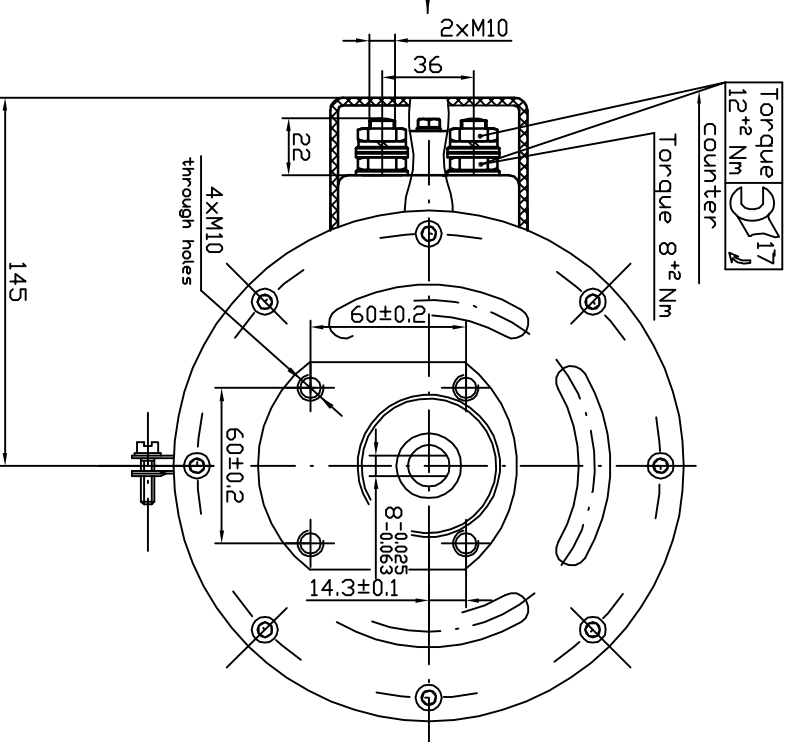
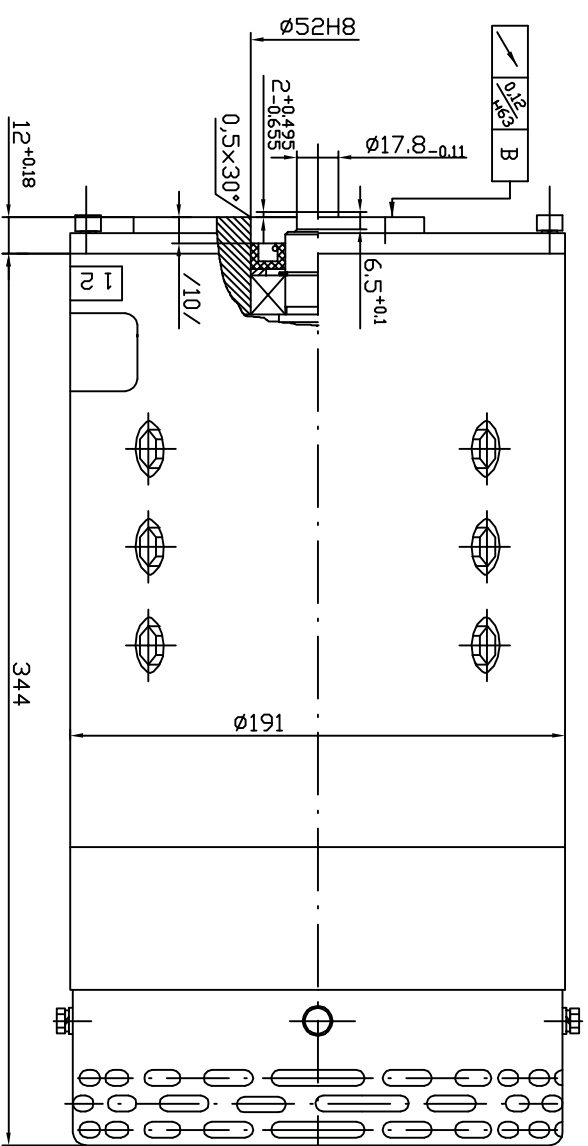


KE 15



EC 7,5/2,4/25
0 40 12 5000

EC 10/4,8/24
0 43 32 4000

rated power
rated voltage
rated current
rated speed
operation mode
excitation
protection
insulation
weight
length L
char. curve
rotation

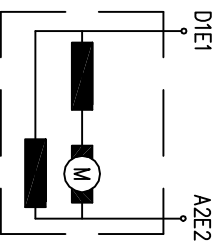
7,5 kW
24 V
2500 min⁻¹
S3-15%
compound
IP 21
F

10 kW
48 V
258 A
2400 min⁻¹
S3-14%
compound
IP 21
F
39 kg

C/W/D/E

C4BE01
C/W/D/E

KOSTOV MOTORS		excit. <input type="checkbox"/>		insulation <input type="checkbox"/>	
kW <input type="checkbox"/>	A <input type="checkbox"/>	V <input type="checkbox"/>	duty <input type="checkbox"/>	SN: <input type="checkbox"/>	
WWW.KOSTOV.MOTOR.SG					



KOSTOV MOTORS "G. Kostov" JSC	
17.11.2006	
10.10.2002	
25.11.1997	
18.02.1997	
Rev.	

A B C D E F G H

1 2 3 4 5 6 7