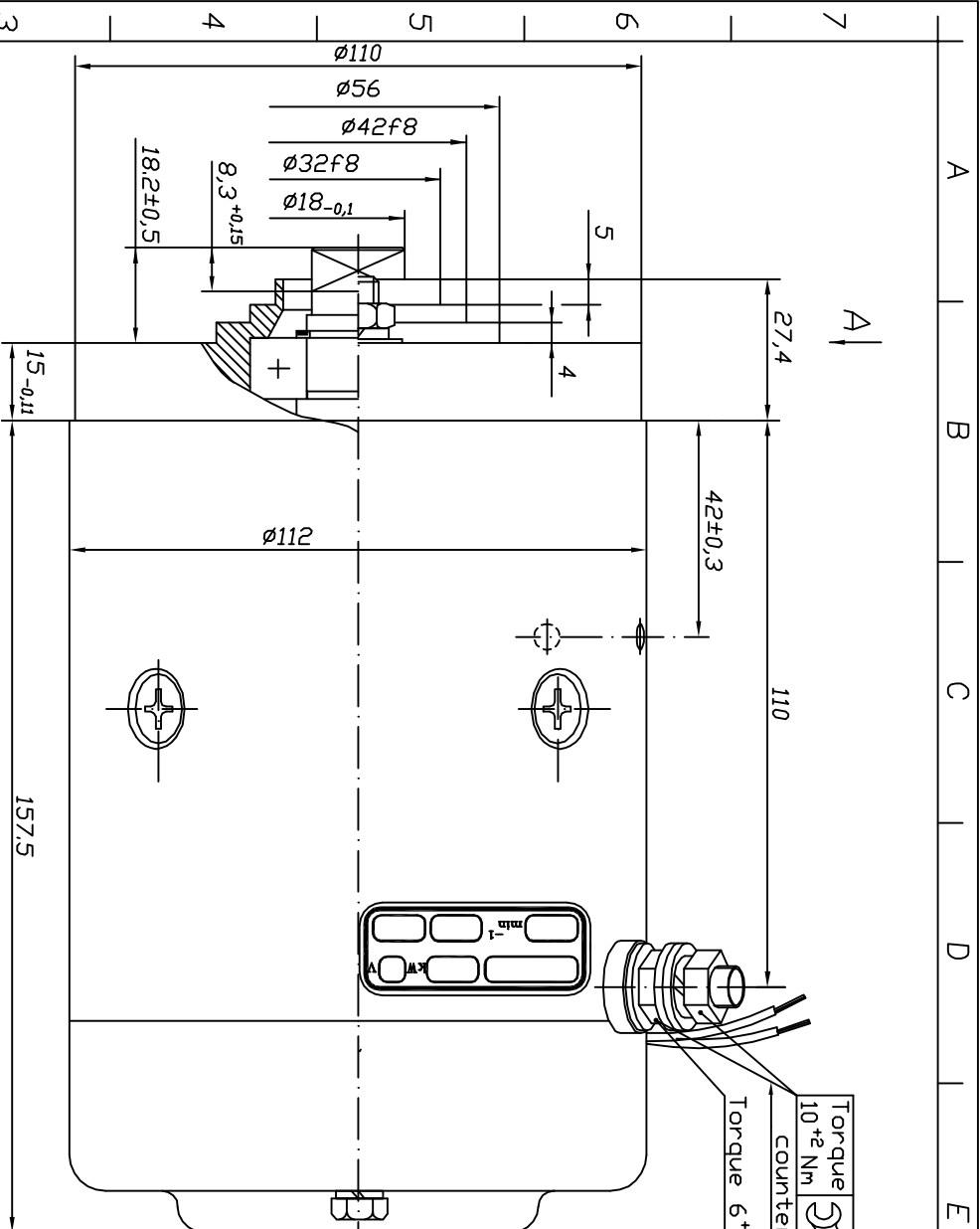
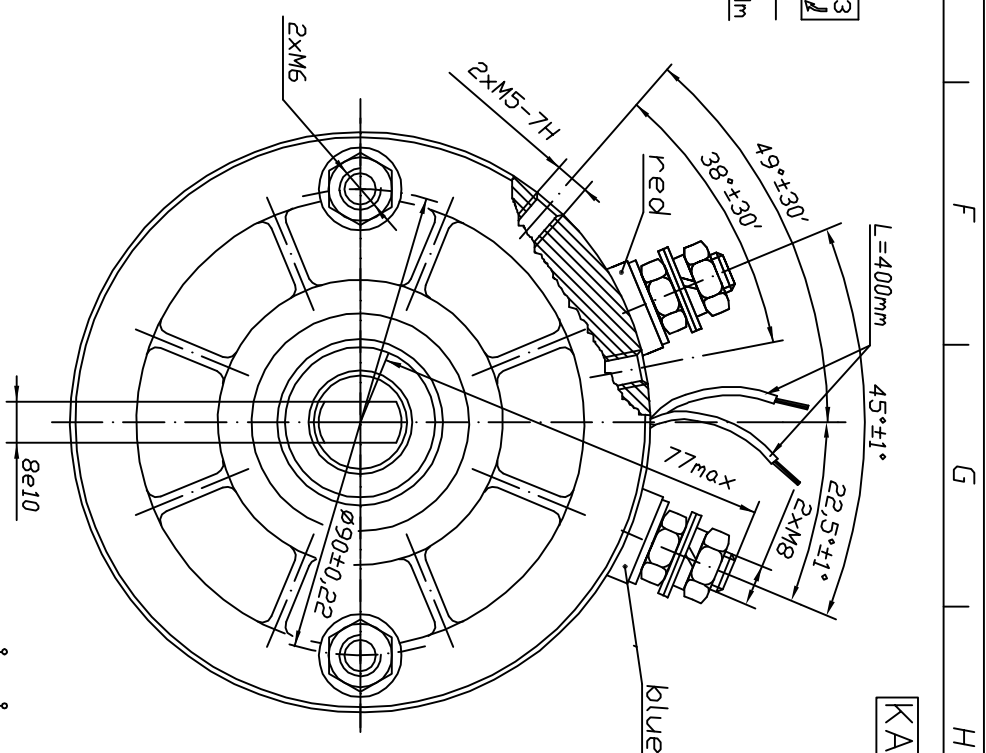


KA117T



Torque 13  
10 ± 2 Nm  
Counter  
Torque 6 ± 2 Nm



EC 1,6/1,2/30-02      EC 2,2/2,4/24-02  
0 23 03 0020      0 27 12 4020

rated power	1,6 kW	2,2 kW
rated voltage	12 V	24 V
rated current	230A	128 A
rated speed	3000 min <sup>-1</sup>	2400 min <sup>-1</sup>
operation mode	S2-2min	S2-2min
excitation	Compound	Compound
protection	IP 44	IP 44
insulation	F	F
weight	6,94kg	6,86kg
length L		
char. curve		
rotation		

C12A40D      C24A32  
C.W.D.E.      C.W.D.E.

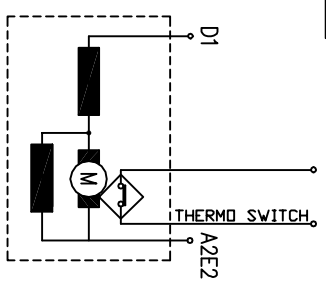
**KOSTOV MOTORS**

excit.  neutral  
IP  duty

KW  A  V  S.W.

rpm  kg  S.W.

www.kostov-motors.com



**KOSTOV MOTORS** Balkancar  
"G. Kostov" JSC

18.12.2002  
Rev.