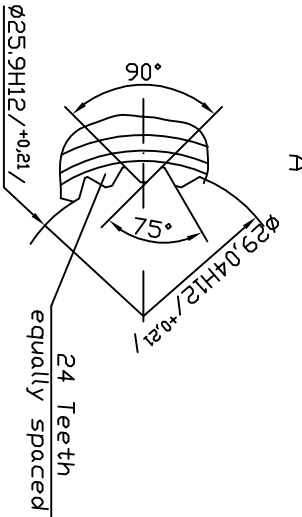


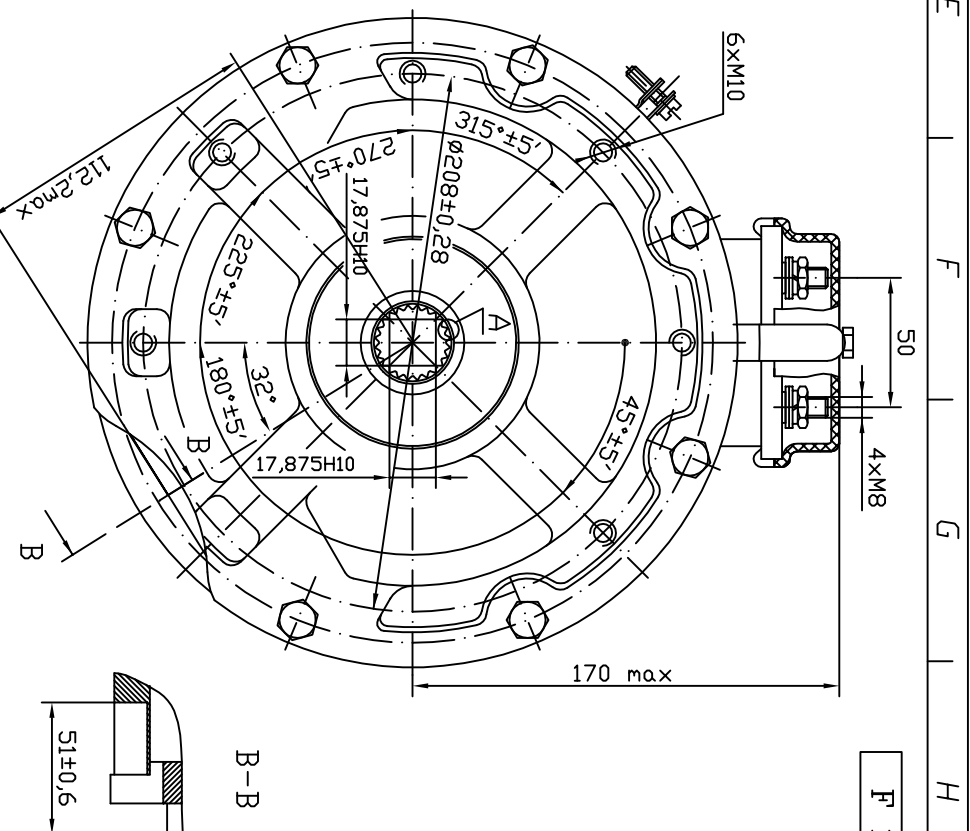
ET 7,5/4,5/23-02
0 40 32 3020

rated power 7,5 kW
rated voltage 45 V
rated current 198 A
rated speed 2300 min⁻¹
operation mode S2-60min
excitation series IP 21
protection IP 21
insulation F
weight 54,5 kg
char. curve S48F03
rotation REV 1
conn. diag. fig. 1

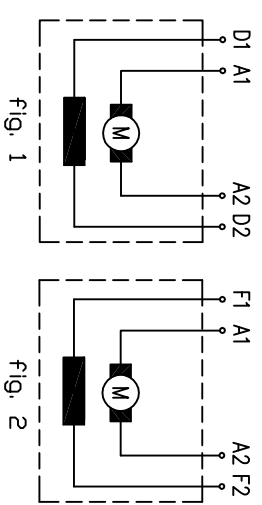


ETH 7,5/4,5/23-04
0 40 32 3040

rated power 7,5 kW
rated voltage 45 V
rated current 193 A
rated speed 2300 min⁻¹
operation mode S2-60min
excitation indep IP 21
protection IP 21
insulation F
weight 55,7 kg
char. curve N48F03
rotation REV 2
conn. diag. fig. 2



F 12



Rotation (viewed from drive end)
CCW: Connect A2 to D1, "+" to D2 and "-" to A1
CW: Connect A2 to D2, "+" to D1 and "-" to A1

IP motor ET 7,5/4,5/23-02
IP excitation SER
insulation class F min 2300
kW 7,5 V 45 A 198
kg 54,5 da 21
S2-60 S-MAXXXXXXX
www.eiprom-ems.com

IP motor ETH 7,5/4,5/23-04
IP excitation INDEP
insulation class F min 2300
kW 7,5 V 45 A 193
kg 55,7 da 21
S2-60 S-MAXXXXXXX
www.eiprom-ems.com

14.09.2007
07.09.2006
18.05.2006
21.11.2005
Rev.

Eiprom-EMS