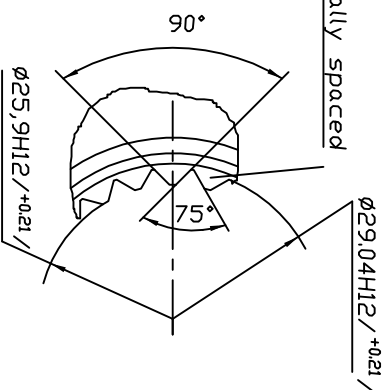
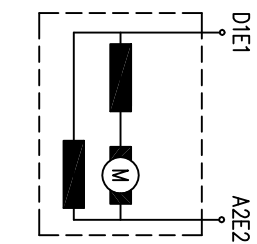


rated power 6,5 kW
 rated voltage 48 V
 rated current 188 A
 rated speed 2800min⁻¹
 operation mode S4-25%/240cl/h
 excitation compound
 protection IP 21
 insulation class F
 weight 37 kg
 length L
 char. curve C48E06
 rotation C.W./D.E.

EC 6,5/4,5/28
0 39 32 8000



24 Teeth equally spaced

By an order specify the angle α .
 Possible values are from 0° to
 270° with a step of 90° by
 rotation of the front end bell.

	DC motor	EC 6,5/4,5/28	IP 21	part 21
	excitation	CDMP	insulation class	F
kW	3900	A	188	
r/min	2800	kg	37	
duty	S4-25%			
data tel	www.eliptom-ems.com			

Eliptom-EMS	
25.10.2006	
24.10.2006	
Rev.	

E 12A