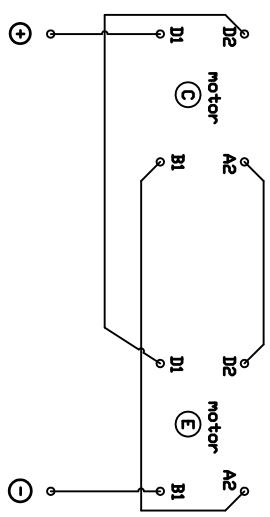


Fig. 1

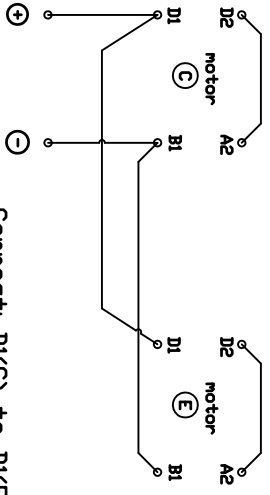
KOSTOV 11" 340V /dual/
Series - CCW/DE



Connect: A2(C) to D2(E),
D2(C) to D1(E),
B1(C) to A2(E),
"+" to D1(C),
"-," to B1(E)

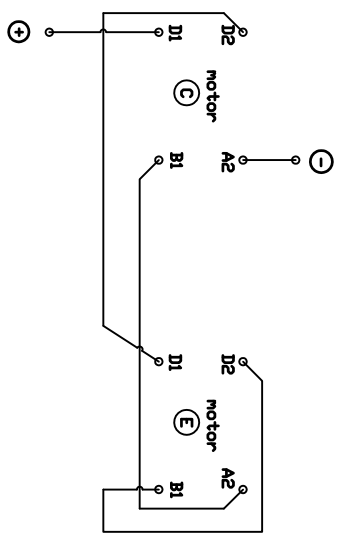
Fig. 2

KOSTOV 11" 340V /dual/
Parallel - CCW/DE



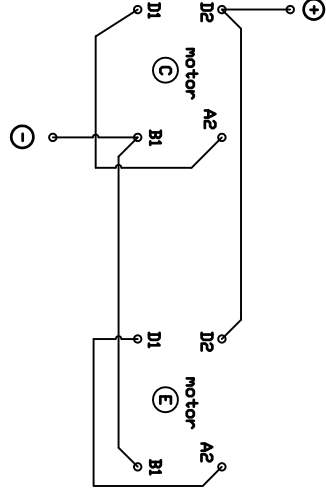
Connect: D1(C) to D1(E),
B1(C) to B1(E),
A2(C) to D2(C),
A2(E) to D2(E),
"+" to D1(C),
"-," to B1(C)

KOSTOV 11" 340V /dual/
Series - CW/DE




Connect: D2(E) to B1(E),
D2(C) to D1(E),
B1(C) to A2(E),
"+" to A2(C),
"-," to D1(C)

KOSTOV 11" 340V /dual/
Parallel - CW/DE



Connect: D2(C) to D2(E),
B1(C) to B1(E),
A2(C) to D1(C),
A2(E) to D1(E),
"+" to D2(C),
"-," to B1(C)

19.10.2011	 Balkancar "G. Kostov" JSC
28.01.2011	
Rev.	