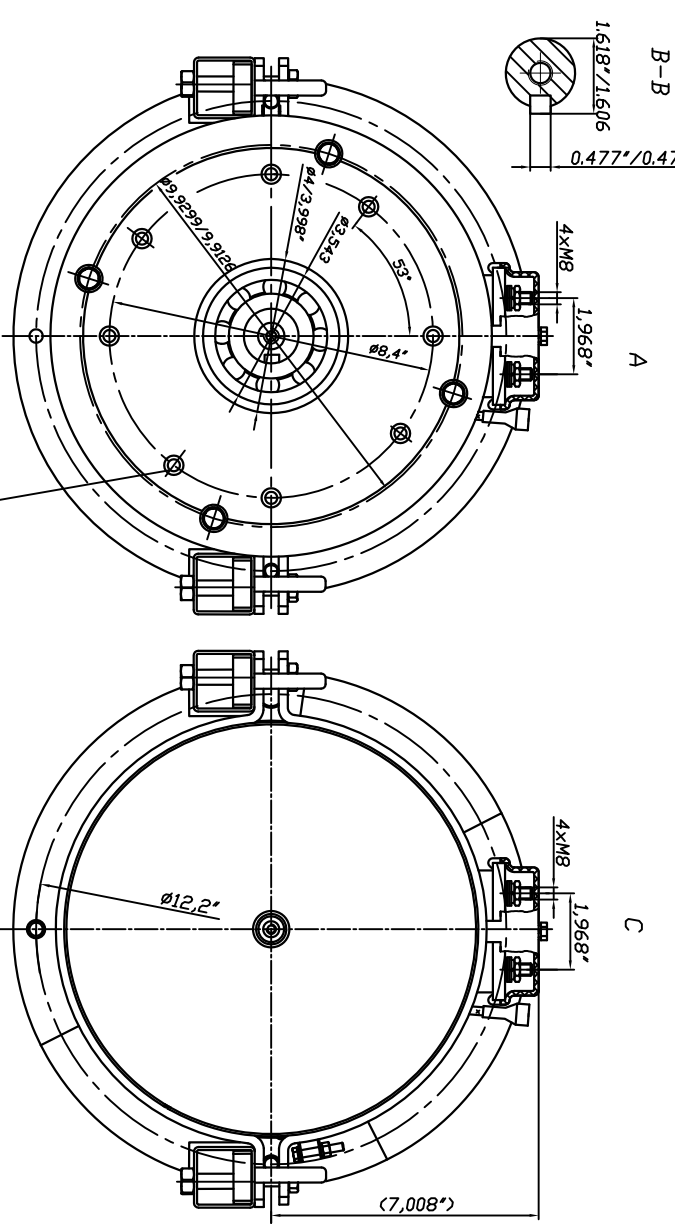
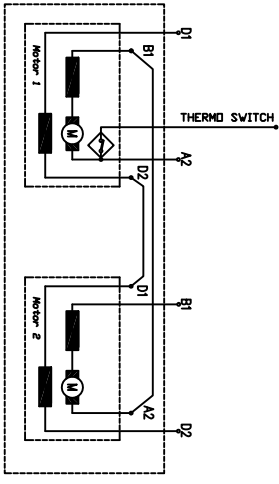


F 27A



KOSTOV 11" 400V /dual/

rated power	84,2 kW
rated voltage	400 V
rated current	250 A
rated speed	5500 min ⁻¹
operation mode	S2-S60min
excitation	F-EL
protection	H
insulation	YES
weight	162 kg
length L	
char. curve	
rotation	rev



Rotation (viewed from drive end)
 CCW: Connect A2 to D2; '+' to D1 and '-' to B1
 CW: Connect B1 to D2; '+' to A2 and '-' to D1
 Coating: black

KOSTOV	KOSTOV 11" 400 V
MOTORS	excit. SERIES
KW 84,2 A 250 V 400	IP EN Insulation H
rpm 5500 S2-S60min	CE
www.kostov-motors.com	

Balkancar
"G. Kostov" JSC

11.02.2010
 Rev.