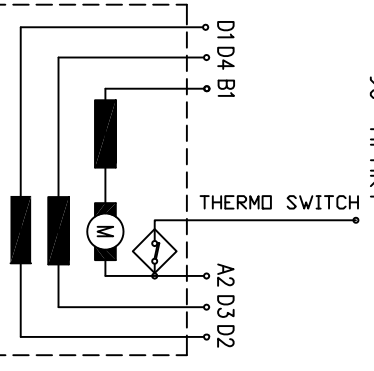
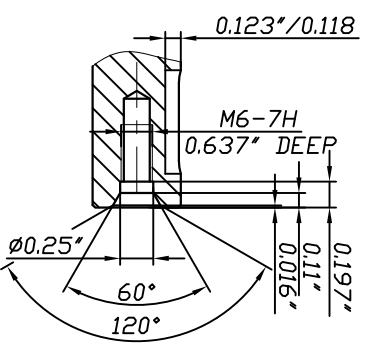
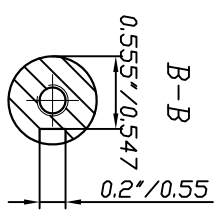


Duty cycle	Field mode	Volts	Amps	RPM	kW	HP	Peak HP	Torque
S2-60min	parallel	139	250	3900	30.3	40.4	125.0	72.0
S2-60min	parallel	160	250	4600	35.0	46.7	145.0	72.0
S2-60min	parallel	185	250	5300	40.4	53.9	165.0	72.0
S2-60min	series	185	210	4300	34.1	45.5	140.0	77.0
S2-60min	series	212	210	4800	38.7	51.6	160.0	77.0
S2-60min	series	240	210	5600	44.8	59.7	185.0	77.0

KOSTOV 11" 250V
R20-32079

Rotation (viewed from drive end)
Series field mode: CCW: Connect D2 to D3; A2 to D4
"++" to D1 and "--" to B1
CW: Connect D1 to D4; A2 to D3
"++" to D2 and "--" to B1

Parallel field mode: Connect D1 to D3 and D2 to D4
CCW: Connect A2 to D2; "++" to D1 and "--" to B1
CW: Connect B1 to D2; "++" to D1 and "--" to A2
Coating: black



KOSTOV MOTORS

KOSTOV 11" 250 V
excit. SERIES
IP 21 insulation class
kW A V duty
rpm kg B S/N

www.kostov-motors.com

KOSTOV MOTORS

Balkancar
"G. Kostov" JSC

25.01.2010
21.01.2010
14.10.2009

Rev.