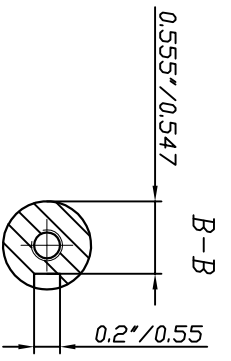
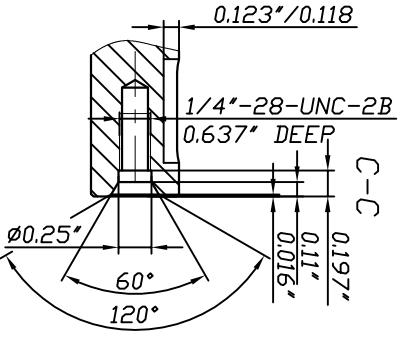


KOSTOV 11" 168V
R20-31835

rated power 36 kW
 rated voltage 265 V
 rated current 168 A
 rated speed 5600 min⁻¹
 operation mode S2-60min
 excitation series IP 21
 protection H
 insulation class YES
 interpoles 79 kg
 weight length L
 char. curve rotation S168F01 rev

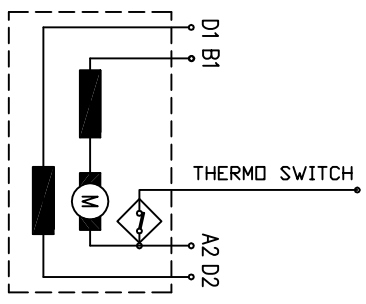
Duty cycle	Volts	Amps	RPM	kW	HP	Peak HP
S2-60min	115	265	3880	26.063	35	125
S2-60min	139	265	4800	31.4	41.9	125
S2-60min	160	265	5600	35.7	47.6	145



KOSTOV 11" 168 V
 exc. **EM** SERIES
 IP 21 Insulation H
 kW 36 A 265 V 168 duty S2-60 min
 rpm 5600 kg 79 S.N.
 www.kostov-motors.com

08.04.2009
26.03.2009
20.02.2009
19.02.2009
13.02.2009
Rev.

Eiprom-EMS



Rotation (viewed from drive end)
 CCW: Connect D2 to A2; "+" to D1 and "-" to B1
 CW: Connect D1 to A2; "+" to D2 and "-" to B1
 Coating: black