

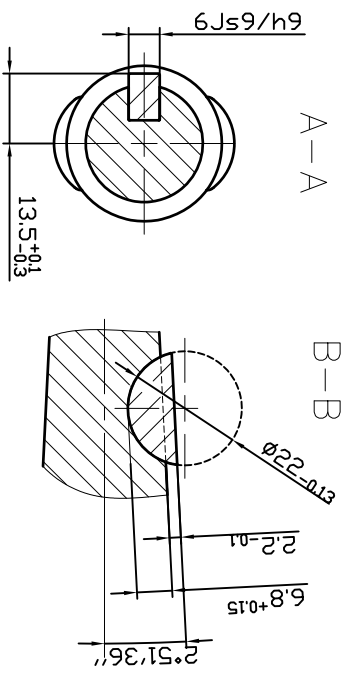
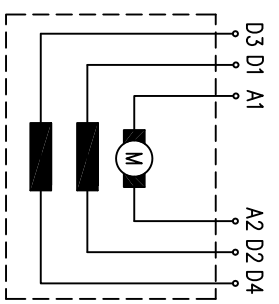
ET 3/3,8/18-03 **ET 3,8/3,8/18-03**
 0 31 31 8030 0 33 31 8030

rated power	3 kW
rated voltage	40 V
rated current	96 A
rated speed	1800 min ⁻¹
operation mode	S2-60min
excitation	IP-23
protection	F
insulation	F
weight	36 kg
length L	
char. curve	
rotation	

REV

DC motor	ET 3/3,8/18-03	IP E3
excitation	SER	
rpm	1800 kW/3 V/40 A/120	
inputs	IP	insulat. class F
duty	S2-60min	
kg	40.5	
RoHS	compliant	
www.elprom-ems.com		

REV



DC motor ET 3/3,8/18-03 IP E3
 excitation SER
 rpm 1800 kW/3 V/40 A/96
 inputs IP insulat. class F
 duty S2-60min
 kg 40.5
 RoHS compliant
 www.elprom-ems.com

DC motor ET 3,8/3,8/18-03 IP E3
 excitation SER
 rpm 1800 kW/3,8 V/40 A/120
 inputs IP insulat. class F
 duty S2-60min
 kg 40.5
 RoHS compliant
 www.elprom-ems.com

02.12.2009	 Elprom-EMS
04.12.2007	
Rev.	