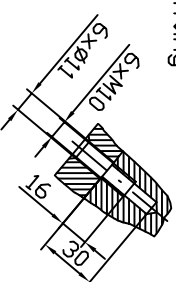


The bolt is unscrewed before mounting

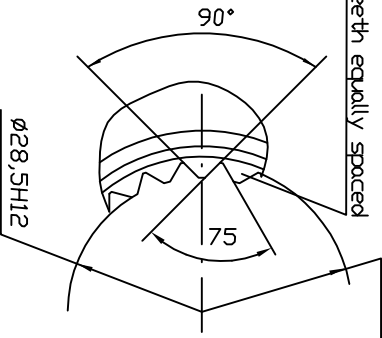


B(K:1)	ET 9/4,5/16-01	ET 9/7,5/12-03	ETH 9/7,5/12-04
Ø31,9H12	0 42 31 6010	0 42 51 2030	0 42 51 2040

rated power 9 kW
 rated voltage 48 V
 rated current 235 A
 rated speed 1600 min⁻¹
 operation mode S2-60min
 excitation series S2-60min
 protection IP 21
 insulation F
 weight 73,7 kg
 length L
 char. curve S48F02
 rotation S48F02
 conn. diag. fig.1

rated power 9 kW
 rated voltage 75 V
 rated current 140 A
 rated speed 1200 min⁻¹
 operation mode S2-60min
 excitation series S2-60min
 protection IP 21
 insulation F
 weight 77 kg
 length L
 char. curve S80F03
 rotation S80F03
 conn. diag. fig.1

rated power 9 kW
 rated voltage 75 V
 rated current 135 A
 rated speed 1200 min⁻¹
 operation mode S2-60min
 excitation independent
 protection IP 21
 insulation F
 weight 76,5 kg
 length L
 char. curve N80F04
 rotation N80F04
 conn. diag. fig.2



DC motor ET 9/4,5/16-01

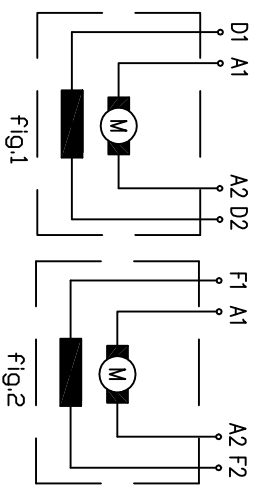
IP	excitation	SEF
insulation class	F	min 1600
kV	9	V
kg	73,7	de
www.eiprom-ems.com	SE-60 S-NXXXXXXXXXX	

DC motor ET 9/7,5/12-03

IP	excitation	SEF
insulation class	F	min 1200
kV	9	V
kg	77	de
www.eiprom-ems.com	SE-60 S-NXXXXXXXXXX	

DC motor ETH 9/7,5/12-04

IP	excitation	INSE2
insulation class	F	min 1200
kV	9	V
kg	76,5	de
www.eiprom-ems.com	SE-60 S-NXXXXXXXXXX	



Rotation (viewed from drive end)
 CW: Connect D1 to A2, "+" to D2 and "-" to A1
 CCW: Connect D2 to A2, "+" to D1 and "-" to A1

Rotation (viewed from drive end)

Connect	Connect
CCW: "+" → F1, "-" → F2	CCW: "+" → A1, "-" → A2
CW: "-" → F1, "+" → F2	

Eiprom-EMS

10.09.2007
17.08.2007
11.08.2006
18.05.2006
Rev.