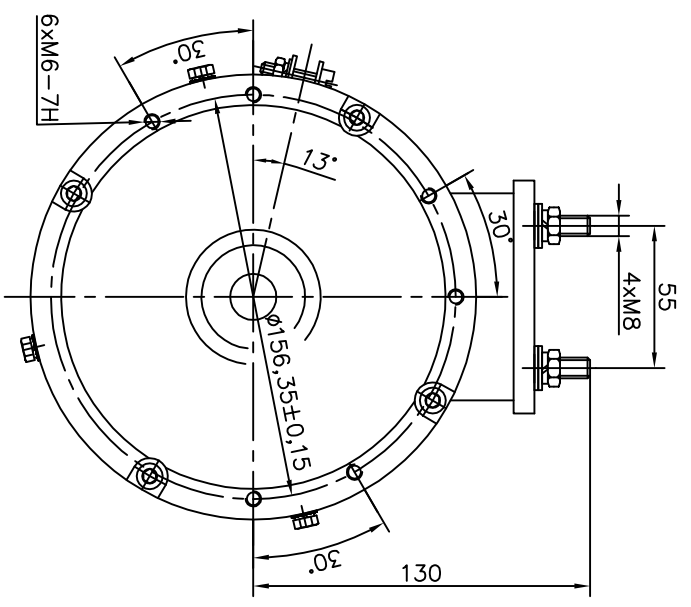
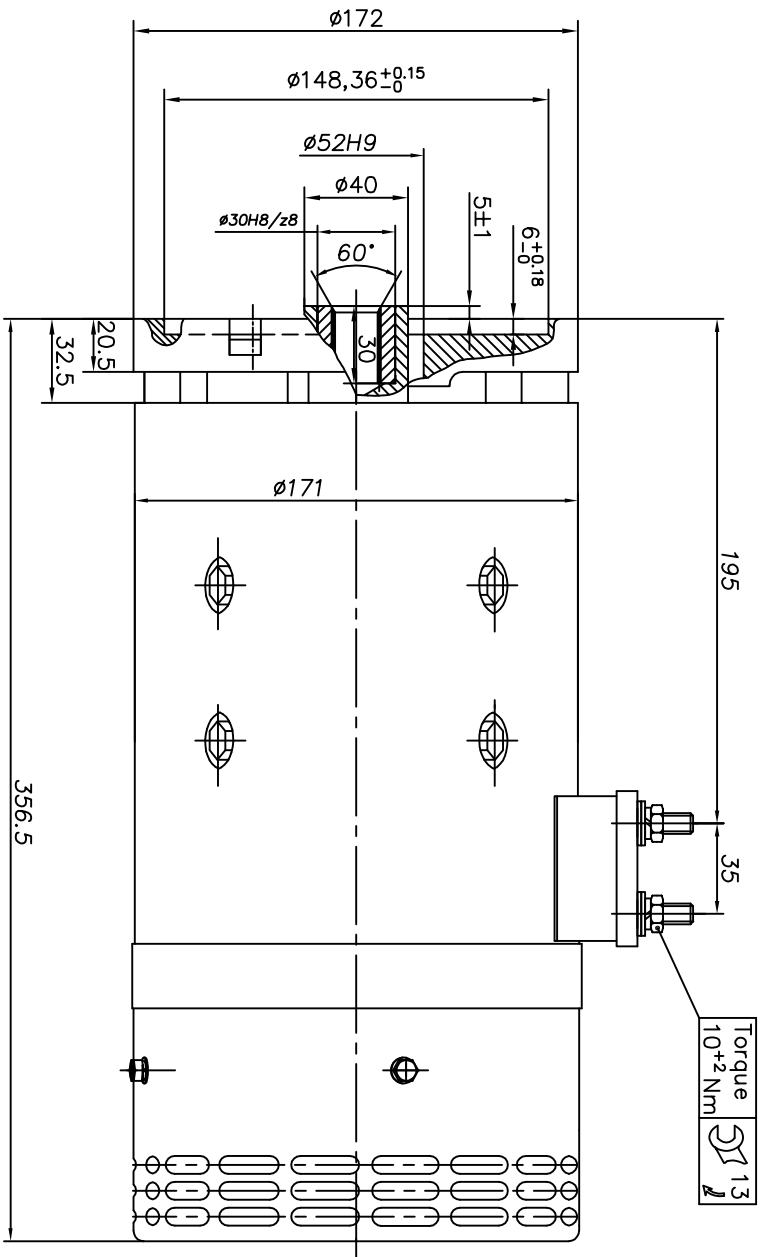


D 50 A



SPLINE DETAIL

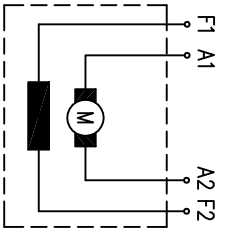
19 Teeth equally spaced
 24/48 Pitch
 .9449/.1.8898 Wide
 .772/.767 Inside diameter
 .859/.850 Outside
 45° Pressure angle

ETH 5,4/4,8/27-01
 0 36 32 7010

rated power 5,4kW
 rated voltage 48 V
 rated current 150A
 rated speed 2700min⁻¹
 operation mode S2-60 min
 excitation indep.
 protection IP 21
 insulation F
 weight 30,55kg
 char. curve N4BD20

		DC motor ETH 5,4/4,8/27-01	
IP 21	excitation	INDEP	
Insulation class	F	min 2700	
kW 5,4	V 48	A 150	
kg 30,55	code		
S2-60	S.N.:XXXXXXXX		
www.eiprom-ems.com			

Rotation (viewed from drive end)
 CCW: F1 → ⊕; F2 → ⊖; | A1 → ⊕; A2 → ⊖;
 CW: F1 → ⊖; F2 → ⊕; | A1 → ⊖; A2 → ⊕;



09.05.2008	
15.08.2007	
16.01.2006	
Rev.	