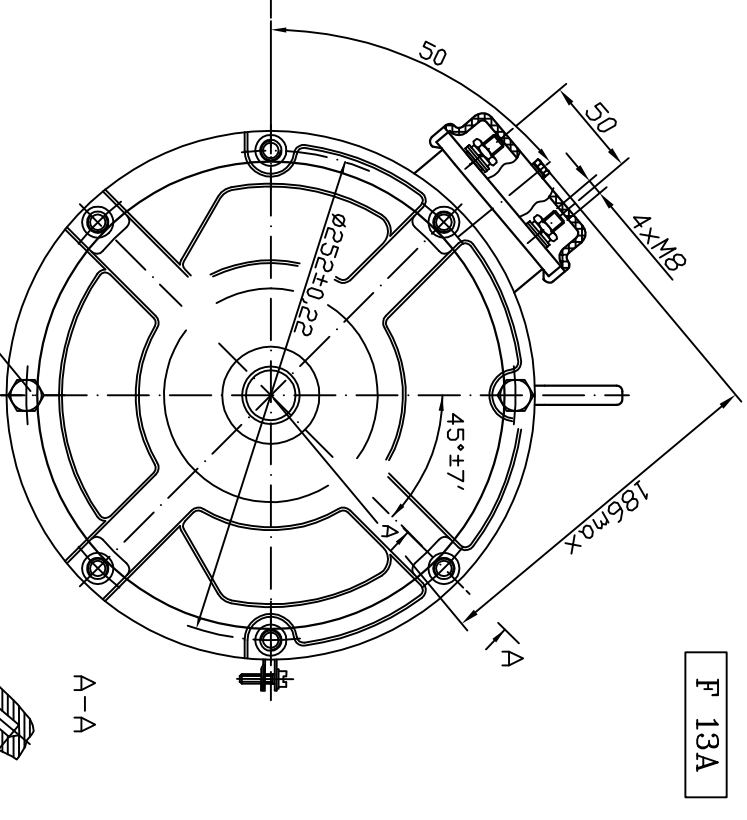
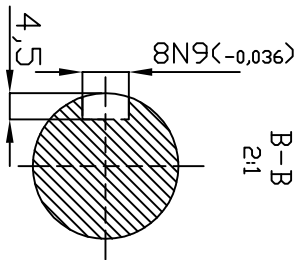


Rotation (viewed from drive end)
 CW: Connect D1 to A2, "+" to D2 and "-" to A1
 CCW: Connect D2 to A2, "+" to D1 and "-" to A1



- rated power 9 kW
- rated voltage 48 V
- rated current 235 A
- rated speed 1600min⁻¹
- operation mode S2-60
- excitation series IP 21
- protection F
- insulation 73,2kg
- weight 416
- length L S48F02
- char. curve rev
- rotation Fig. 1

FT 9/4,5/16-03
 0 42 31 6030

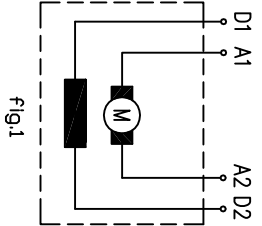


Fig. 1

	DIC motor	<input type="checkbox"/> IP21	<input type="checkbox"/> IP21
excitation	insulation class		
kW	V	A	kg
r/min	kg		
date			
www.elpion-ems.com			

17.08.2007	
15.08.2007	
05.06.2007	
14.05.2007	
11.05.2007	
Rev.	

Elpion-EMS

F 13A