

rated power
rated voltage
rated current
rated speed
operation mode
excitation
protection
insulation
weight
char. curve
rotation
length L

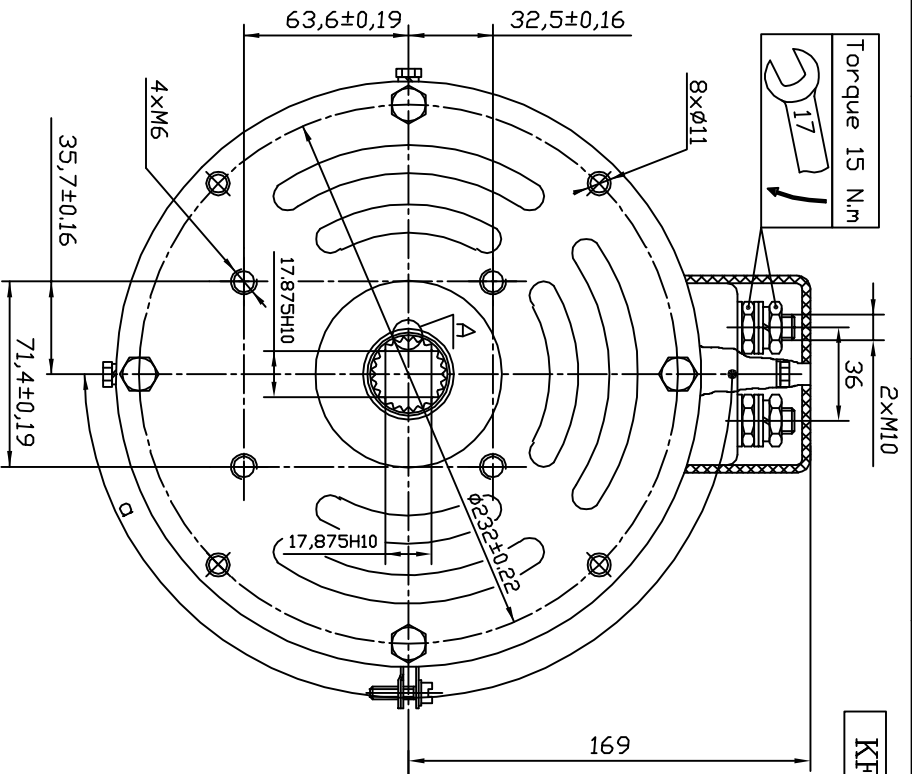
24 Teeth equally spaced
A
 $\phi 29,04H12/+0,21/$
EC 14,5/7,5/21
0 48 52 1000

EC 14,5/7,5/28-02
0 48 52 8020

14,5 kW
80 V
232 A
2100 min⁻¹
S3-30%
series
IP 21
F
73 kg
S80F07
C.W.D.E.
428 mm

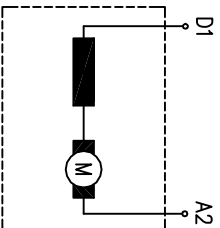
14,5 kW
80 V
232 A
2800 min⁻¹
S30-30%
series
IP 21
F
68 kg
S80F08
C.W.D.E.
398 mm

	excit.	<input type="checkbox"/>
	insulation	<input type="checkbox"/>
kW	A	V
rpm	kg	S.N.
www.kostov.com		



KF 01

Possible values are from 0° to 315° with a step of 45° by rotation of the front end bell.



	07.09.2006	Balkancar "G. Kostov" JSC
	22.05.2006	
	27.10.1997	
Rev.		