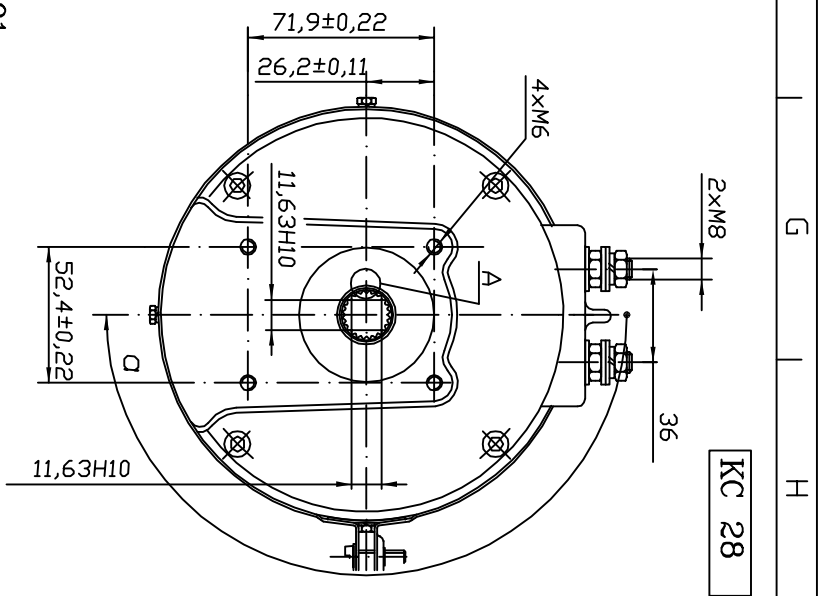


EC 0,7/7,5/32 EC 2,8/7,5/28 EC 2,8/2,2/28-01
 0 16 53 2000 0 30 52 8000 0 30 12 8010

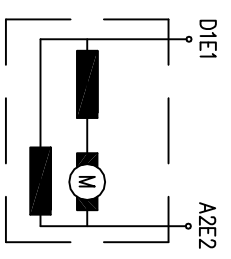
rated power 0,7 kW
 rated voltage 80 V
 rated current 16,5 A
 rated speed 3200 min⁻¹
 operation mode S2-60min
 excitation compound
 protection IP 21
 insulation F
 weight 20 kg
 length L
 char. curve C.W./D.E.
 rotation

2,8 kW
 80 V
 47 A
 2800 min⁻¹
 S4-25%-240 c/h
 compound
 IP 21
 F
 20 kg
 C80C02
 C.W./D.E.

2,8 kW
 24 V
 160 A
 2800 min⁻¹
 S4-25%-240 c/h
 compound
 IP 21
 F
 20 kg
 C24C06
 C.W./D.E.



By an order specify the angle.
 Possible values are from 0w to 315w with a step of 45w by rotation of the front end bell



KOSTOV MOTORS		excit. <input type="checkbox"/>		insulation <input type="checkbox"/>	
kw <input type="checkbox"/>	A <input type="checkbox"/>	V <input type="checkbox"/>	duty <input type="checkbox"/>		
rpm <input type="checkbox"/>	kg <input type="checkbox"/>	S.N. <input type="checkbox"/>			
www.kostov-motors.com					

Balkancar "G. Kostov" JSC

24.10.2006
 24.10.1997
 05.03.1997
 Rev.