

Torque 13 ± 10 Nm
 Counter

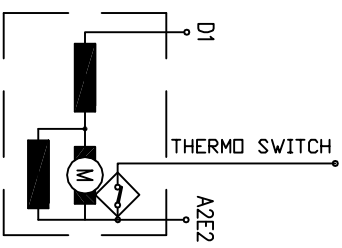
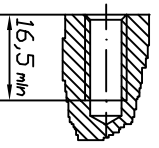
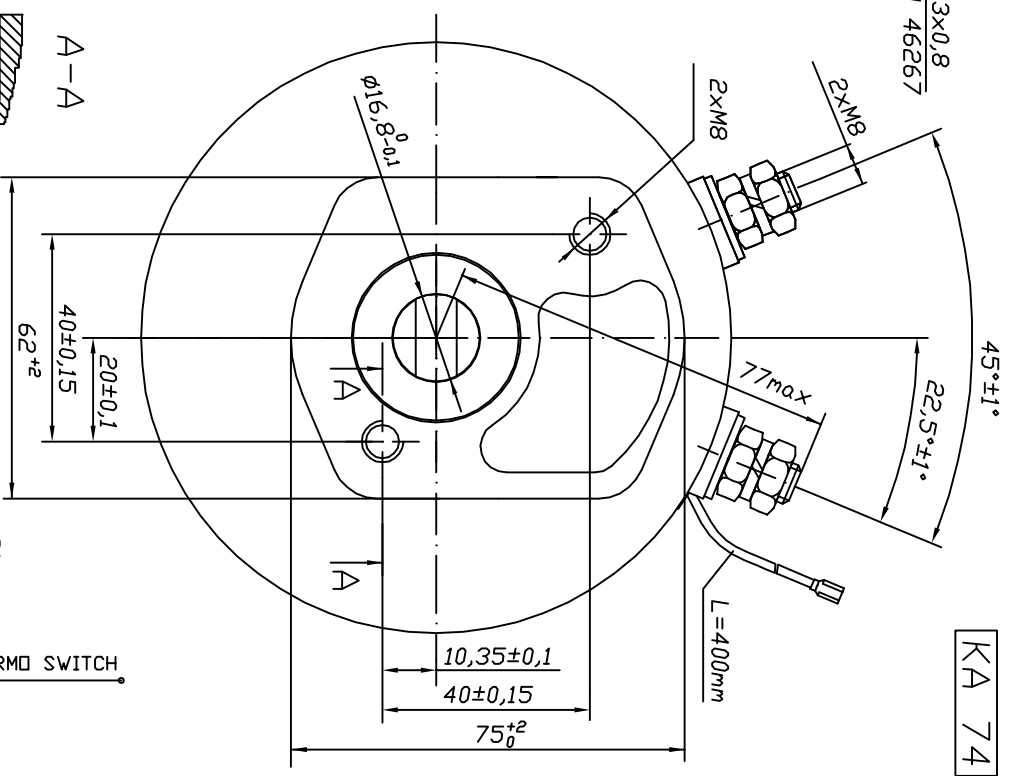
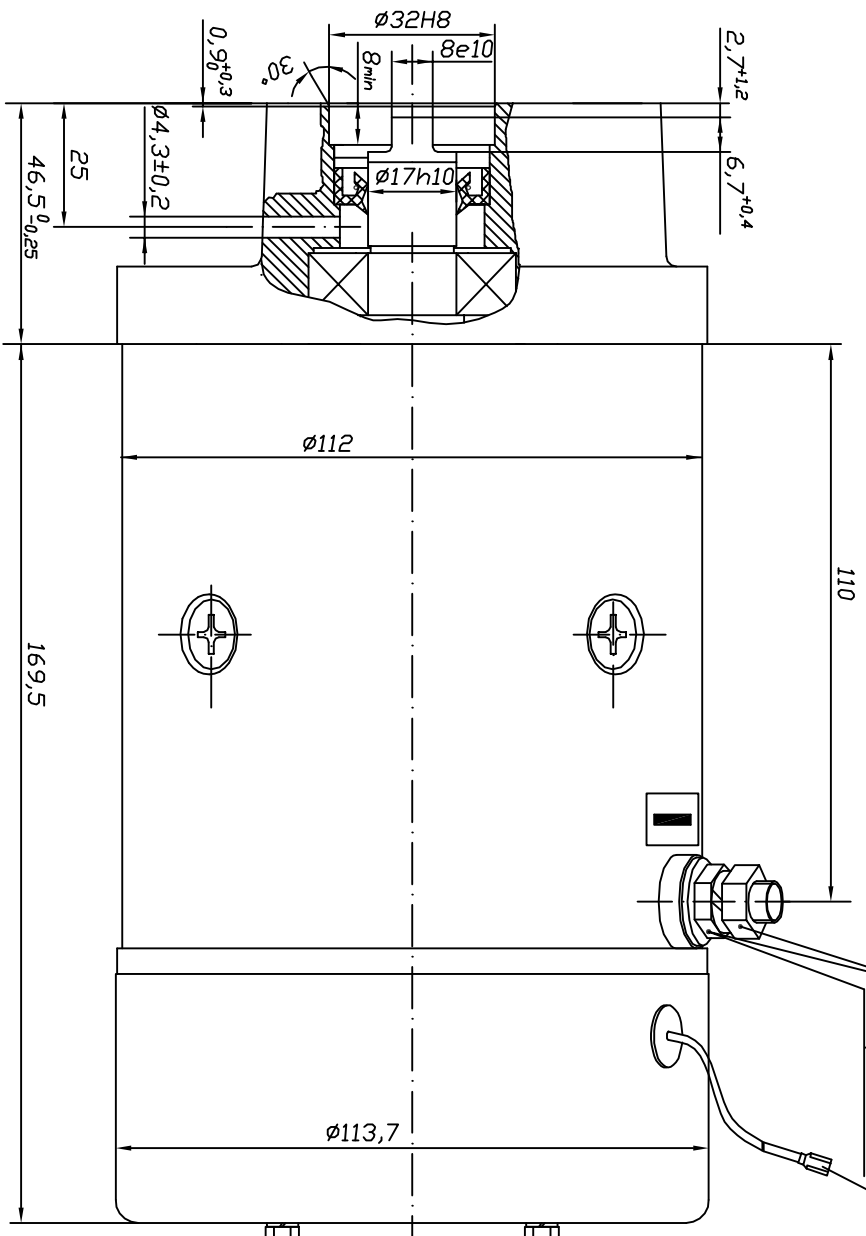
Torque 6 ± 2 Nm

6,3x0,8
 DIN 46267

$45 \pm 1^\circ$

$22,5 \pm 1^\circ$

KA 74



EC 1,5/1,2/23-02 EC 2/2,4/22-02
 0 23 02 3020 0 26 12 2020

rated power 1,5 kW
 rated voltage 12 V
 rated current 206 A
 rated speed 2300 min⁻¹
 operation mode S2-4min
 excitation compound
 protection IP 44
 insulation F
 weight 7,4 kg
 length L
 char. curve C12A10
 rotation CW/DE

2 kW
 24 V
 126 A
 2200 min⁻¹
 S2-2,5min
 compound
 IP 44
 F
 7,4 kg
 C24A27
 CW/DE

KOSTOV MOTORS

excit.
 insulation
 duty
 S.N.
 kW
 rpm
 kg
 V
 A
 www.kostov...m2019fs.com

Balkancar "G. Kostov" JSC

13.08.2007
 20.06.2007
 01.03.2002
 Rev.