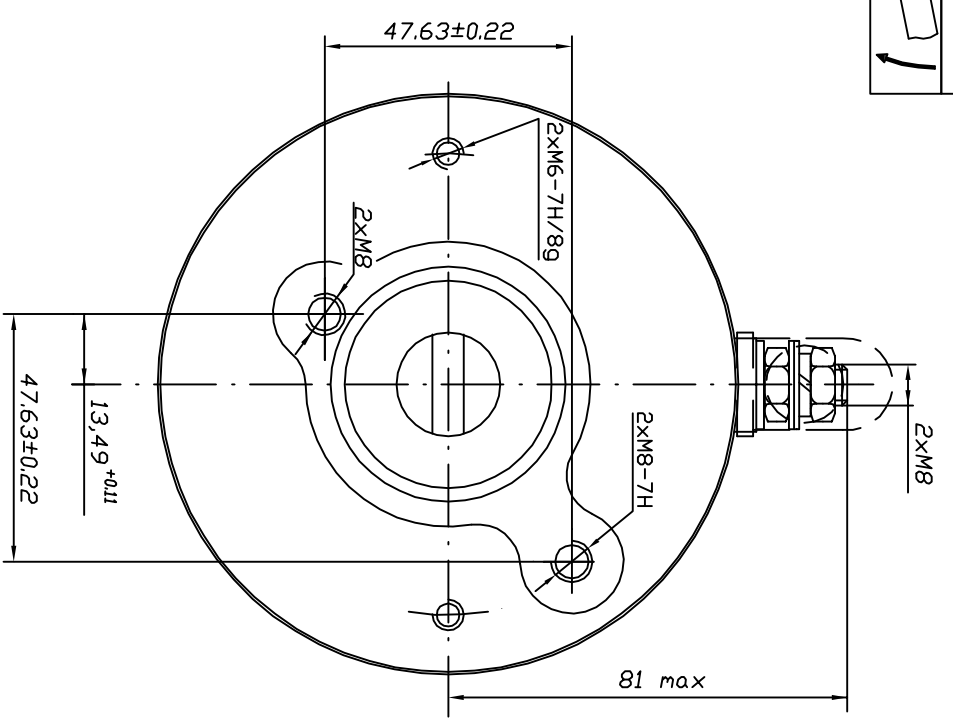


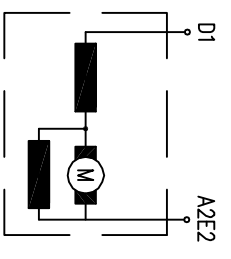
NOTE: The front side bearing fixing is ensured after the mounting of the pump. The other bearing is free.

EC 1,5/3,6/30-03
0 23 23 0030

rated power	1,5 kW
rated voltage	36 V
rated current	56 A
rated speed	3000 min ⁻¹
operation mode	S2-5min
excitation	compound
protection	IP 44
insulation	F
weight	6,45 kg
char. curve	C36A01
rotation	C.C.W./D.E



KA 42A



	excit.	<input type="checkbox"/>
	insulation	<input type="checkbox"/>
kW	A	V
rpm	kg	S.N.
www.kostov...m019193.com		

19.06.2012		Balkancar "G. Kostov" JSC
01.06.2010		
02.10.2006		
05.02.2001		
01.09.2000		
Rev.		