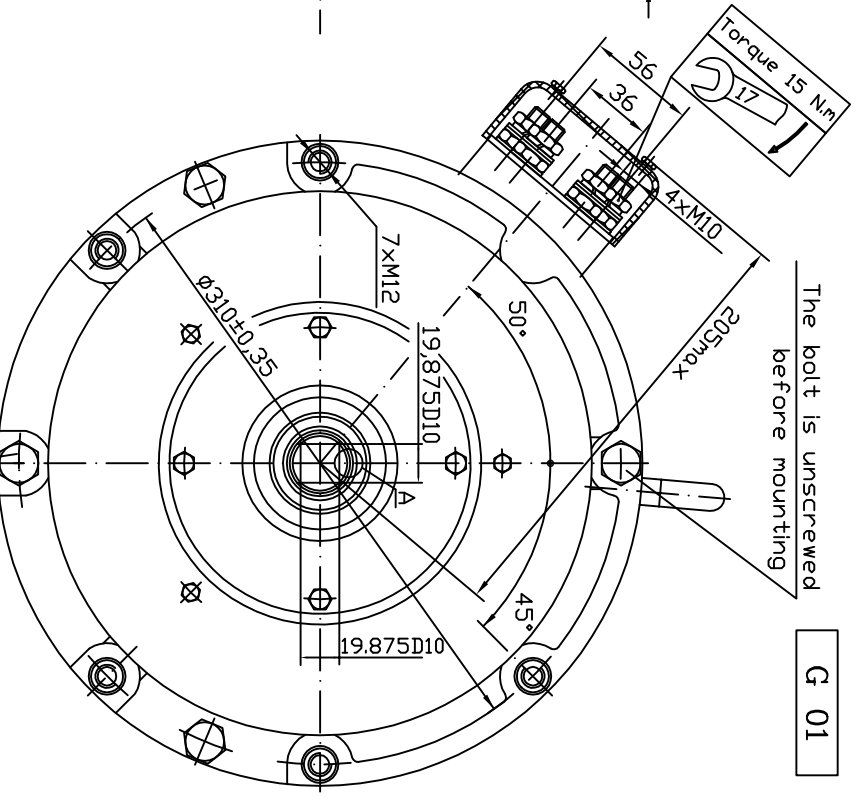


Rotation (viewed from drive end)
 CCW: Connect A2 to D2; "+" to D1 and "-" to B1
 CW: Connect A2 to D1; "+" to D2 and "-" to B1

Rotation (viewed from drive end)
 CCW: Connect A2 to D1; "+" to D2 and "-" to A1
 CW: Connect A2 to D2; "+" to D1 and "-" to A1



ET 12/7,5/12 0 46 51 2000

ET 15/7,5/14 0 49 51 4000

rated power 12 kW
 rated voltage 80 V
 rated current 195 A
 rated speed 1200 min⁻¹
 operation mode S2-60min
 excitation protection IP 21
 insulation class F
 weight 140 kg
 char. curve S80G02
 rotation REV
 conn. diag. fig. 2

rated power 15 kW
 rated voltage 80 V
 rated current 240 A
 rated speed 1400 min⁻¹
 operation mode S2-60min
 excitation protection IP 21
 insulation class F
 weight 151 kg
 char. curve S80G03
 rotation REV
 conn. diag. fig. 1

DC motor ET 12/7,5/12 series insulation class F

excitation series insulation class F

kV 12 V75 A195

rpm 1200 kg 140

IP 21 S2-60min

www.eiprom-ems.com

DC motor ET 15/7,5/14 series insulation class F

excitation series insulation class F

kV 15 V75 A240

rpm 1400 kg 151

IP 21 S2-60min

www.eiprom-ems.com

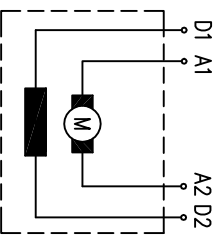
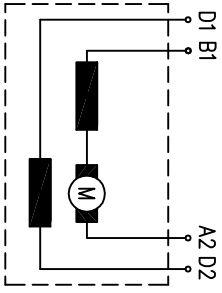


fig. 1

fig. 2

24.10.2006

12.03.1997

21.02.1995

Rev.

Eiprom-EMS

G 01