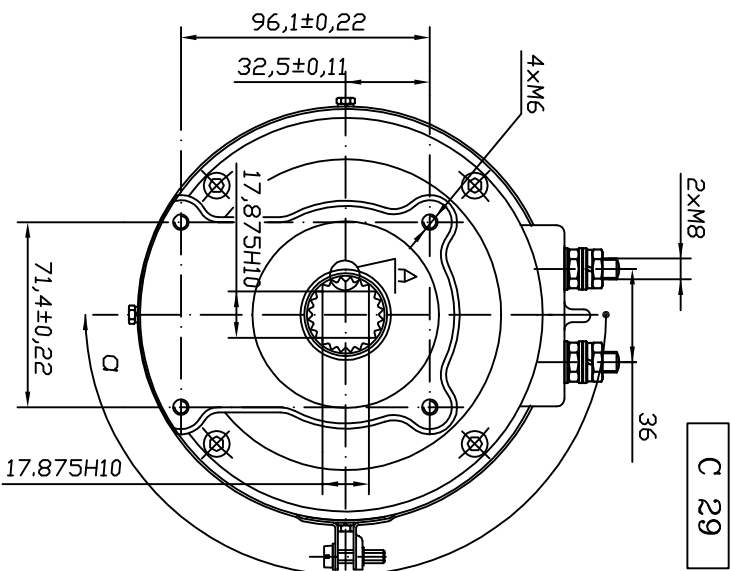
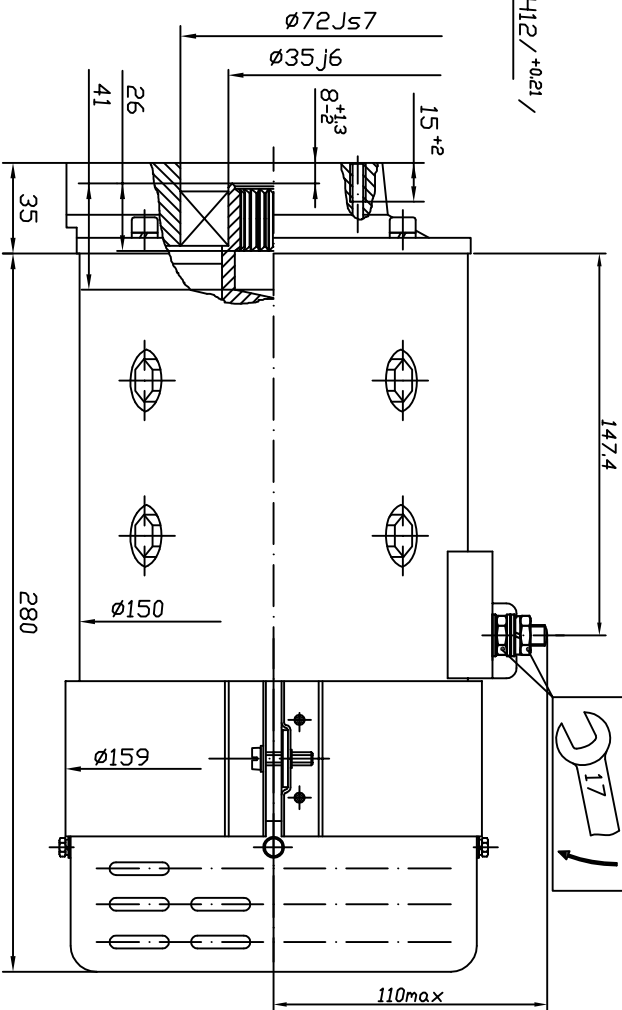
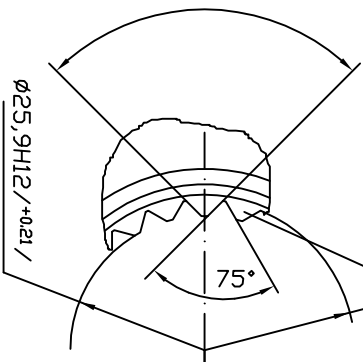


24 Teeth equally spaced $\phi 29,04H12/+0,21/$



EC 2,8/7,5/28-01
0 30 52 8010

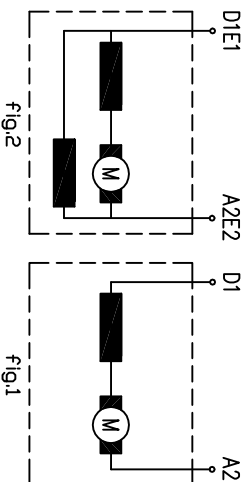
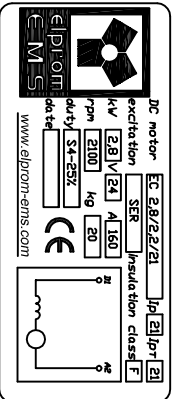
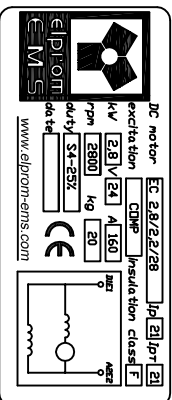
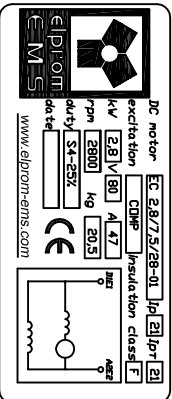
EC 2,8/2,2/28
0 30 12 8000

EC 2,8/2,2/21
0 30 12 1000

rated power 2,8 kW
rated voltage 80 V
rated current 47 A
rated speed 2800 min⁻¹
operation mode S4-25%-240 cl/h
excitation compound
protection IP 21
insulation class F
weight 20,5 kg
length L
char. curve C80C03
rotation C.W./D/E
connection diag. fig.2

2,8 kW
24 V
160 A
2800 min⁻¹
S4-25%-240 cl/h
compound
IP 21
F
20 kg
C24C06
C.W./D/E
fig.2

2,8 kW
24 V
160 A
2100 min⁻¹
S4-25%-240 cl/h
series
IP 21
F
20 kg
S24C13
C.W./D/E
fig.1



By an order specify the angle.
Possible values are from 0w to 315w with a step of 45w by rotation of the front end bell

25.10.2006	
24.10.1997	
05.03.1997	
Rev.	

Eiprom-EMS