

EC 2/1,2/23-32
0 26 02 3320

rated power 2 kW
 rated voltage 12 V
 rated current 270 A
 rated speed 2300 min⁻¹
 operation mode S2-1,5 min
 excitation compound
 protection IP 44
 insulation F
 weight 6,850 kg
 length L
 char. curve C12A25
 rotation C.W./D.E.

DHOLLANDIA

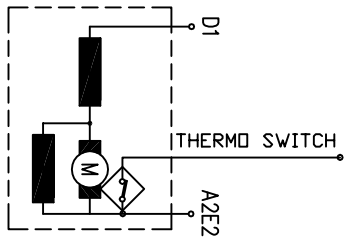
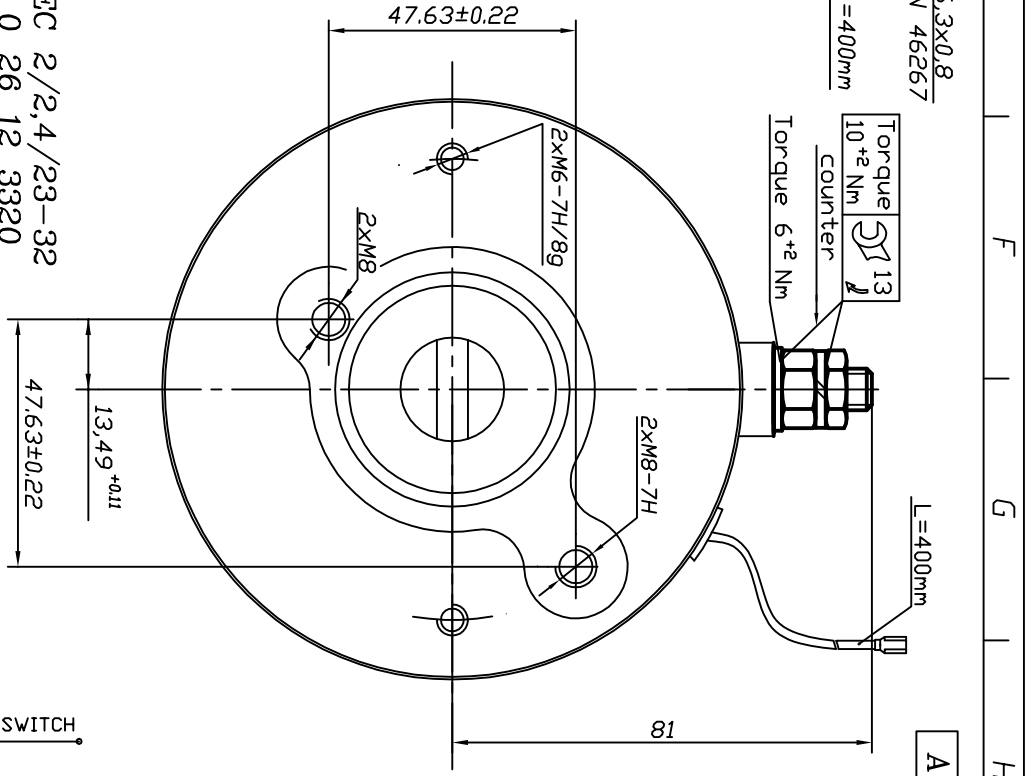
DC motor	EC E1/2/23-32	excit.	comp.
RP 27	IP 44	excit.	comp.
insulation class	F	min ⁻¹	2300
kV	E	V	12
kg	7,1	A	270
duty cycle	S2-1,5min	excit.	comp.
www.DHOLLANDIA.com			

EC 2/2,4/23-32
0 26 12 3320

rated power 2 kW
 rated voltage 24 V
 rated current 121 A
 rated speed 2300 min⁻¹
 operation mode S2-2 min
 excitation compound
 protection IP 44
 insulation F
 weight 6,66 kg
 length L
 char. curve C24A29
 rotation C.W./D.E.

DHOLLANDIA

DC motor	EC E2/4/23-32	excit.	comp.
RP 23	IP 44	excit.	comp.
insulation class	F	min ⁻¹	2300
kV	E	V	24
kg	6,9	A	121
duty cycle	S2-2min	excit.	comp.
www.DHOLLANDIA.com			



NOTE: The front side bearing fixing is ensured after the mounting of the pump. The other bearing is free.

1	A	B	C	D	E	F	G	H
1	<p>Etiprom-EMS</p> <p>14.08.2006 05.04.2006 29.03.2006</p> <p>Rev.</p>							